

CABLE 408 RF: RF CABLE ASSEMBLY, HIROSE W.FL + SMA FEMALE BULKHEAD JACK WITH O-RING + 0.81MM CABLE - 6GHz

SPECIFICATIONS:

- HIROSE W.FL PLUG (W.FL-LP-040)
- 0.81MM COAXIAL CABLE, COLOR: GRAY
- SMA STRAIGHT BULKHEAD JACK
P/N: RFCT-SMA081-F08, GOLD

ENVIRONMENTAL:

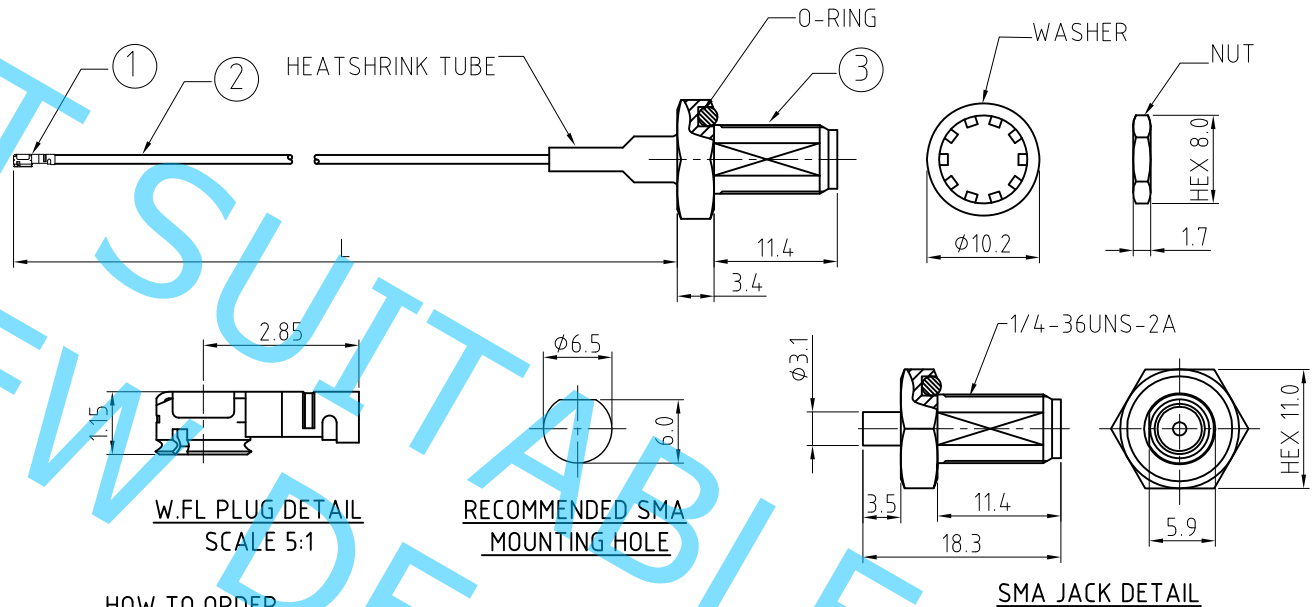
- A. BULKHEAD MOUNTED CONNECTOR (RFCT-SMA081-F08) RATED TO THE FOLLOWING SPECIFICATION:
- IP6X - DUST TIGHT - NO PARTICLE INGRESS.
 - IPX7 WATERPROOF FOR 30 MINUTES UP TO 1 METER UNDERWATER.

NOTES:

- THE ORIENTATION OF CONNECTORS ON DRAWING IS FOR REFERENCE ONLY, IF THE ORDER IS LEFT BLANK THE CONNECTOR WILL NOT HAVE FIXED ORIENTATION.
- FIXED ORIENTATION IS SUGGESTED FOR CABLE LENGTH 25MM TO 100MM. PLEASE SPECIFY THE FIXED ORIENTATIONS FROM THE ORDER CODE (F1, F2, ETC)
- CONTACT GRAD CONN IF THE ORIENTATION YOU REQUIRE IS NOT SHOWN.
- WORKING FREQUENCY RANGE: DC-6GHz
- OPERATING TEMPERATURE: -40°C TO +90°C
- IMPEDANCE: 50 OHM.

USAGE PRECAUTIONS: CABLES USING 'MICRO' COAX ARE DELICATE:

- HANDLE WITH CARE.
- DO NOT TWIST; APPLY EXCESSIVE FORCES OR SHARP BENDS TO THE CABLE. DO NOT FORCEFULLY DEFORM WIRES.
- CONSULT CONNECTOR MANUFACTURER'S DATASHEETS FOR DETAILED NOTES ON HANDLING INSTRUCTIONS.



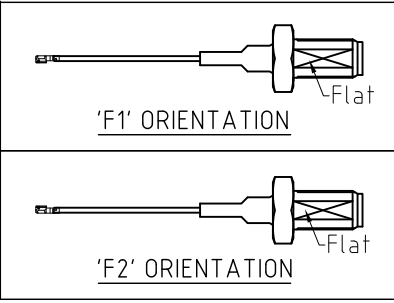
HOW TO ORDER

CABLE 408 RF - X X X - X X - X

"L" LENGTH IN MM
eg: 100MM = 100
(MIN. 025-MAX.400)
STANDARD = 100, 150, 200
Tolerance: <50mm: ±2mm.
51-200mm: ±5mm.
201-400mm: ±7mm.

WASHER AND NUT OPTIONS:
BLANK = SEPERATELY PACKED (STANDARD)
A = ASSEMBLED WITH CONNECTOR

ORIENTATION OPTIONS:
BLANK = DOES NOT HAVE A FIXED ORIENTATION
F1 = WFL CONNECTION DOWN (L=25-100MM)
F2 = WFL CONNECTION UP (L=25-100MM)
(SEE NOTES 1, 2, 3 AND DIAGRAMS FOR MORE INFORMATION)



REV. DATE & DRN
1.0 26/05/20 - CC RELEASE
1.1 31/03/24 - CC
ADD IP RATING VIEW
1.2 19/04/24 - CC
REMOVE IPX8 TEST CONDITION & IP RATING VIEW

Scale: NTS	THIRD ANGLE	Unstated .X .XX .XXX ANGLES	Tolerances: N/A N/A N/A N/A
Drawn: CC			
App'd: XXX	Title CABLE ASSEMBLY		
Date: 19 APR. '24	Revision: 1.2	Unit: mm	

 IP Rated RF Products	 www.gradconn.com	Type: Cable 408 RF
		CABLE 408 RF
Drawing Number:		Sheet 1 of 1
© THIS DRAWING IS CONFIDENTIAL AND MUST NOT BE COPIED OR DISCLOSED WITHOUT WRITTEN CONSENT		Drawing © E and O E